

MG Secure Entry Door Lock

Features

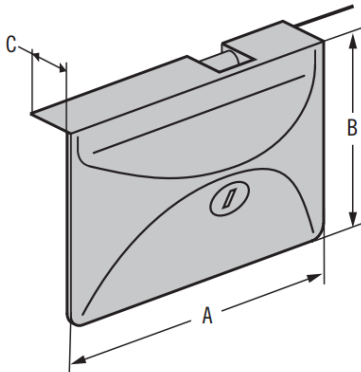
- Offered in all corrosion resistant materials, including polyamide, stainless steel, and brass
- Outside key-locking with interior sliding privacy lock
- Supplied with striker and two keys

Material

- Finish: White or black polyamide case

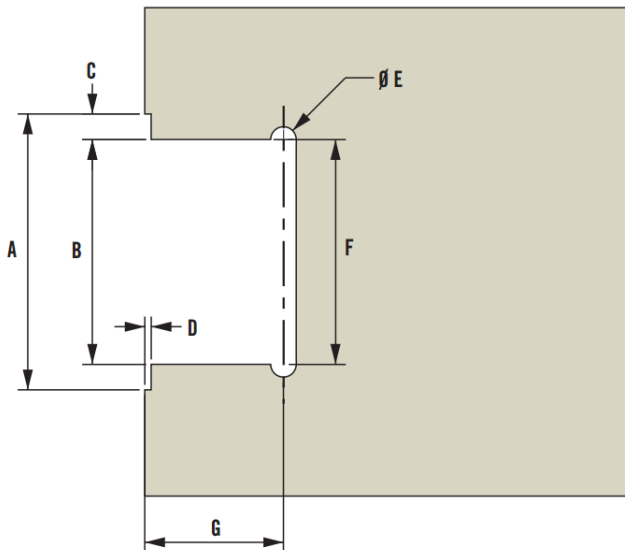
Product Performance

- Locking: Optional black day key available
- Spacer: Optional spacer available to accept a 10mm door thickness
- Striker: Numerous strikers available in clear or black anodized aluminium or stainless steel
- Contact Gripwell for additional striker options and accessories
- Contact Gripwell for spare keys



	Imperial		Metric
	Nominal	Decimal	
A	3 27/64	3.43	87
B	2 11/64	2.17	55
C	15/32	.47	12

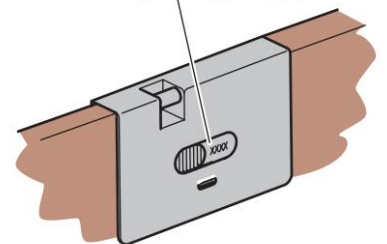
Panel Preparations



	Imperial		Metric
	Nominal	Decimal	
A	3 13/32	3.41	86.5
B	2 25/32	2.78	70.5
C	15/16	.32	8
D	5/64	.08	2
E	5/16	.31	8
F	2 27/32	2.84	72
G	1 23/32	1.71	43.5

How to determine your key combination

Key # for ordering sparekey starting with 8__ or 9__



Secure Part Numbers		
	Black	White
With P-striker and two keys	MG-01-110-50	MG-01-110-70